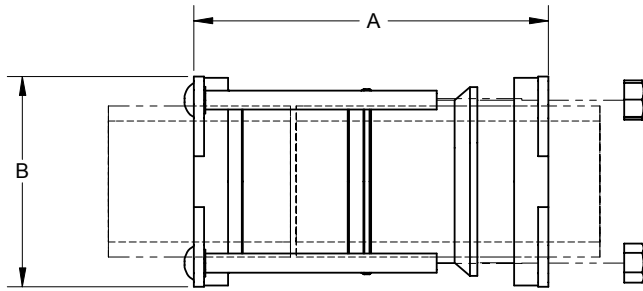
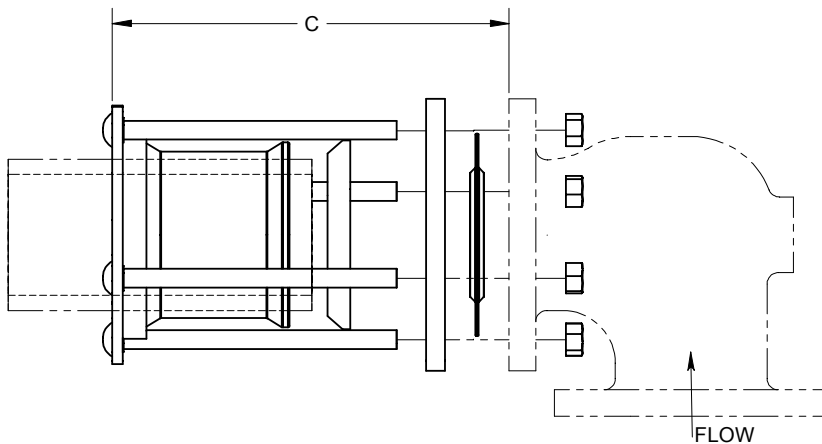
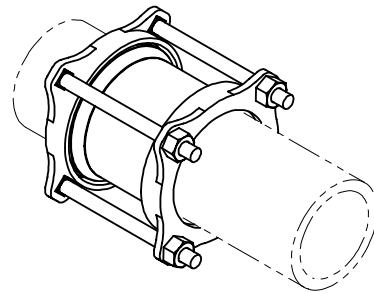


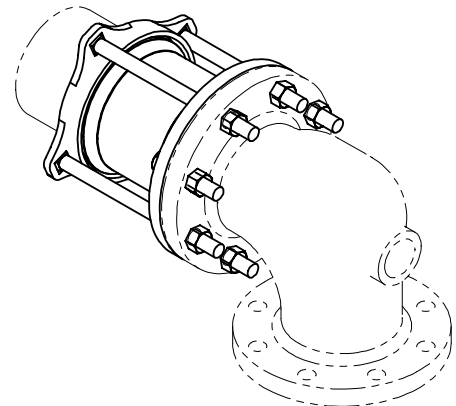
**DENSE FLOW SLEEVE COUPLING
AND FLANGE ADAPTER**



SLEEVE COUPLING



FLANGE ADAPTER



NOM. PIPE	A	B	C	COUPLING PART #	FL. ADAPTER PART #
3"	5"	6"	6"	DF15510X99	DF29350X99
4"	5"	7"	6"	DF15515X99	DF29360X99

THE DENSE FLOW SLEEVE COUPLING is used to connect Densealloy Pipe together and THE DENSE FLOW FLANGE ADAPTER is used to connect Densealloy Pipe to a Dense Flow Elbow.

NOTE: Specifications and dimensions subject to change.